

FIG. 1

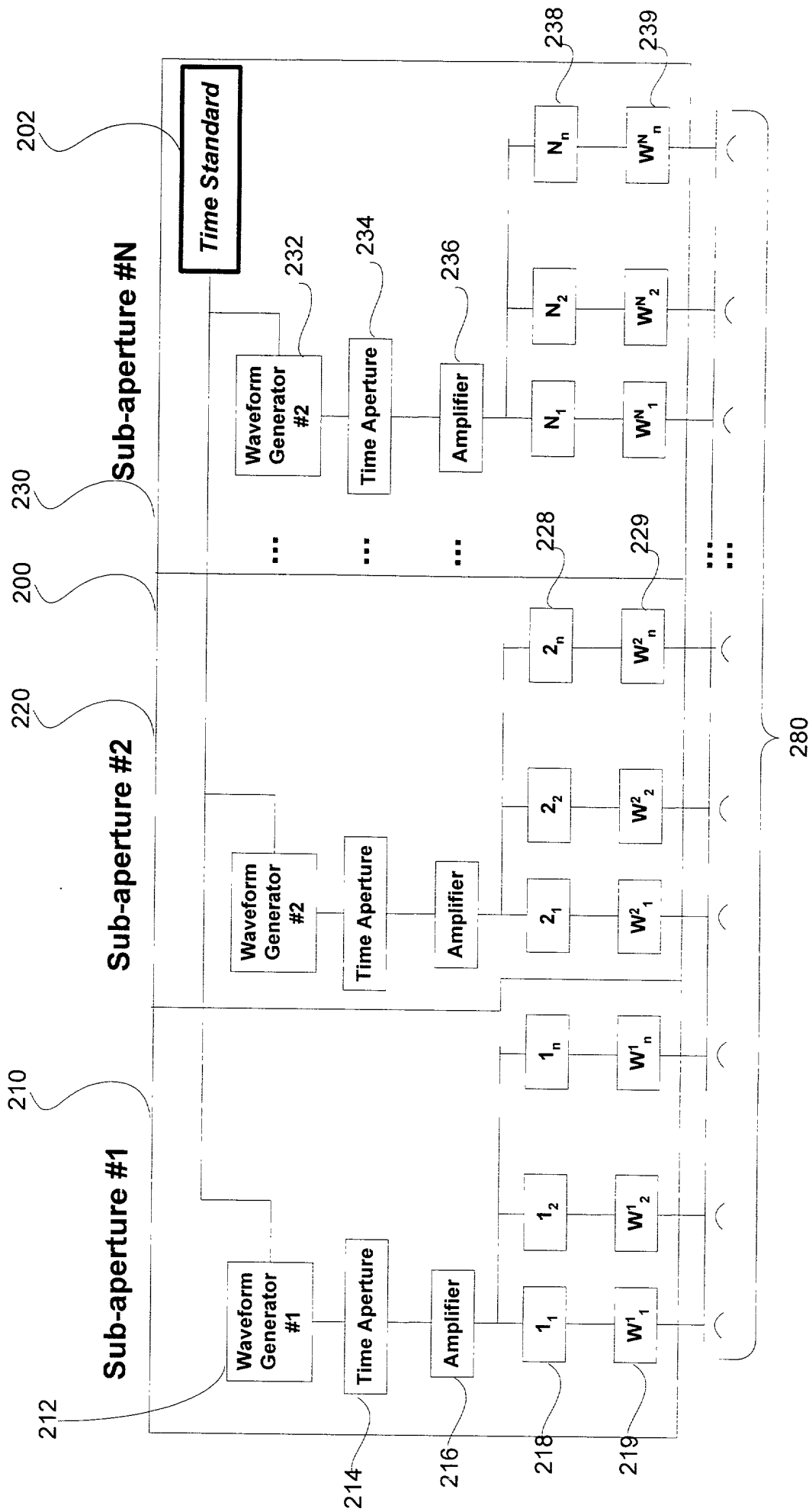


Fig. 2

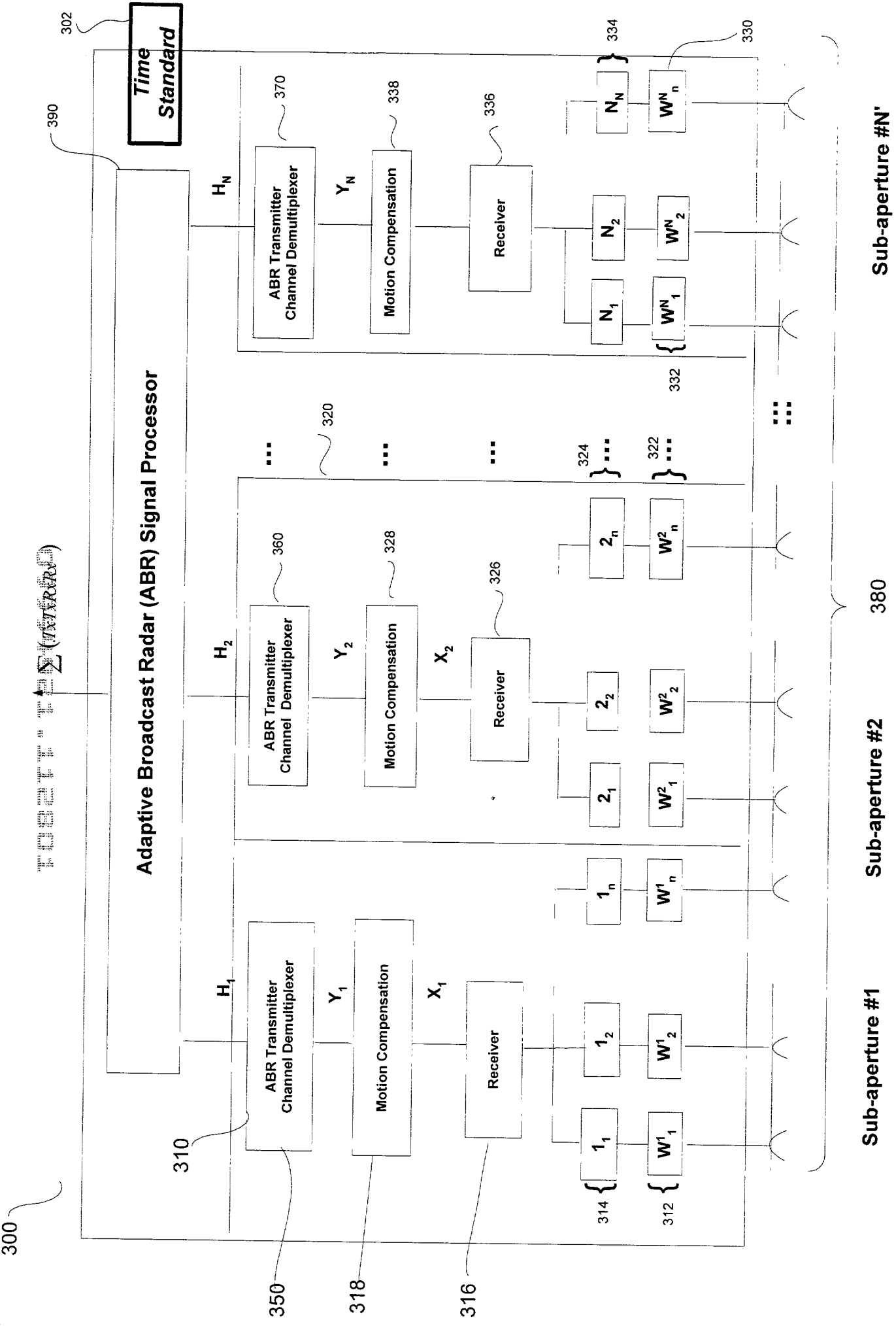
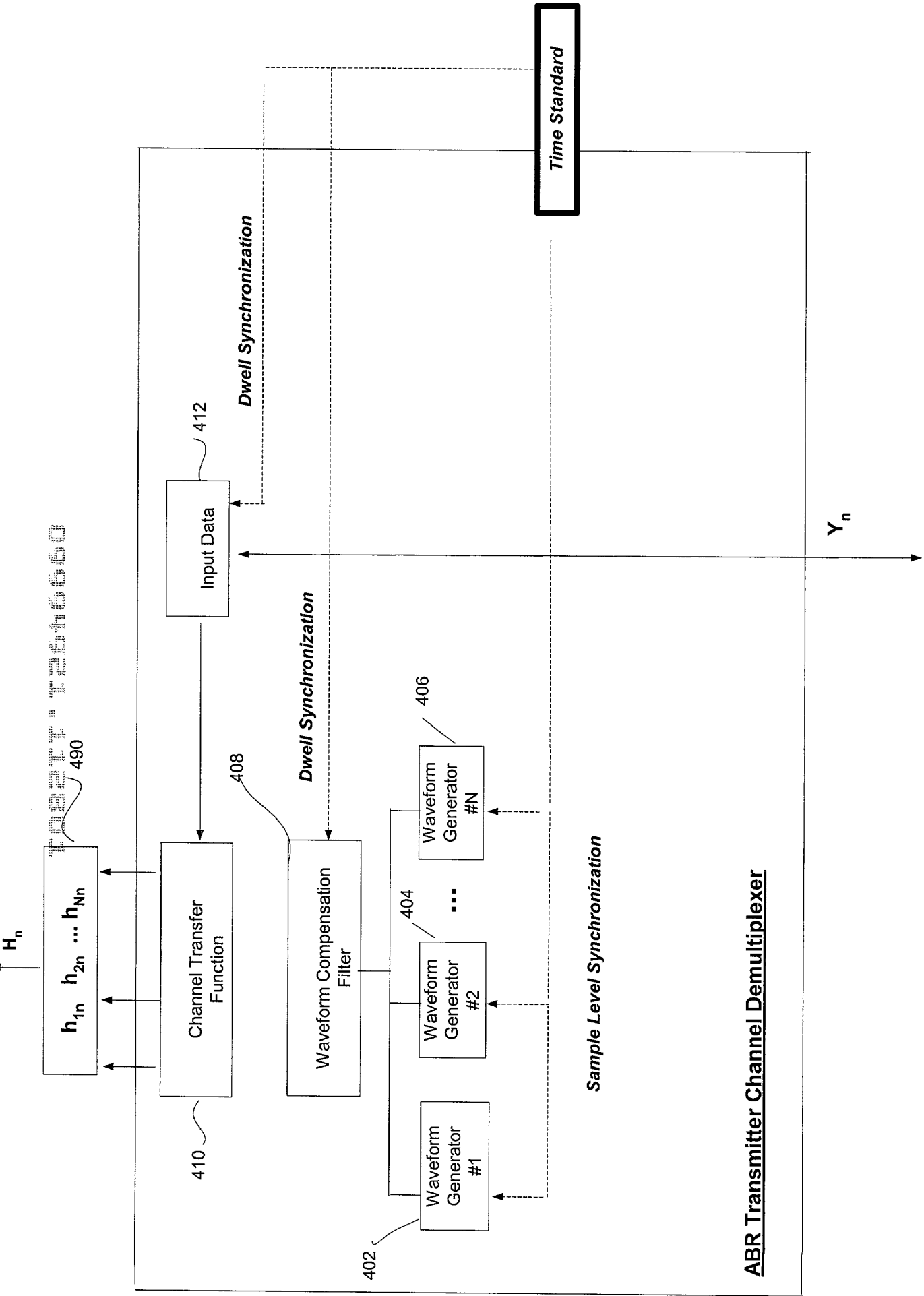


Fig. 3



ABR Transmitter Channel Demultiplexer

Fig. 4

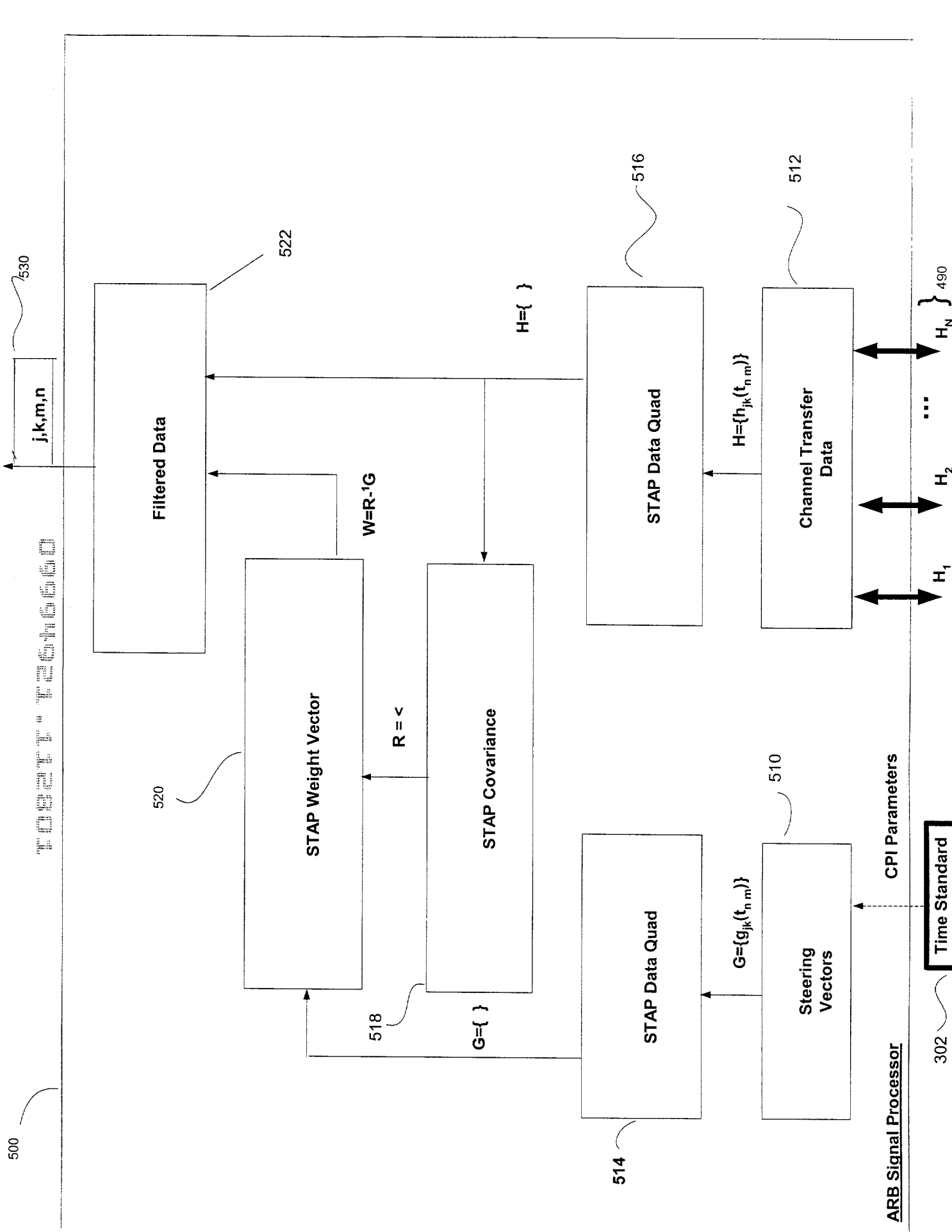


Fig. 5

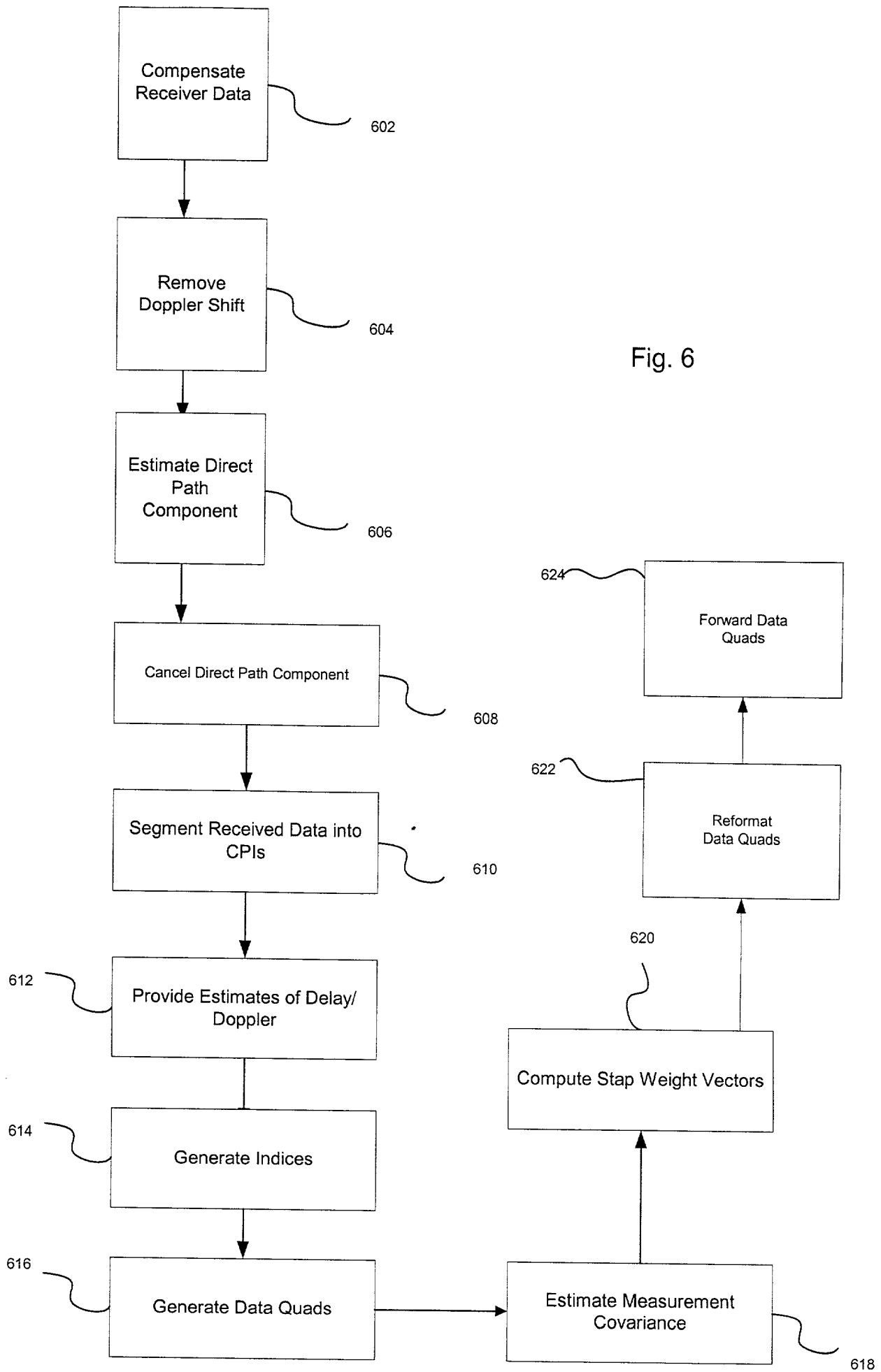


Fig. 6

Patent # 4,645,650

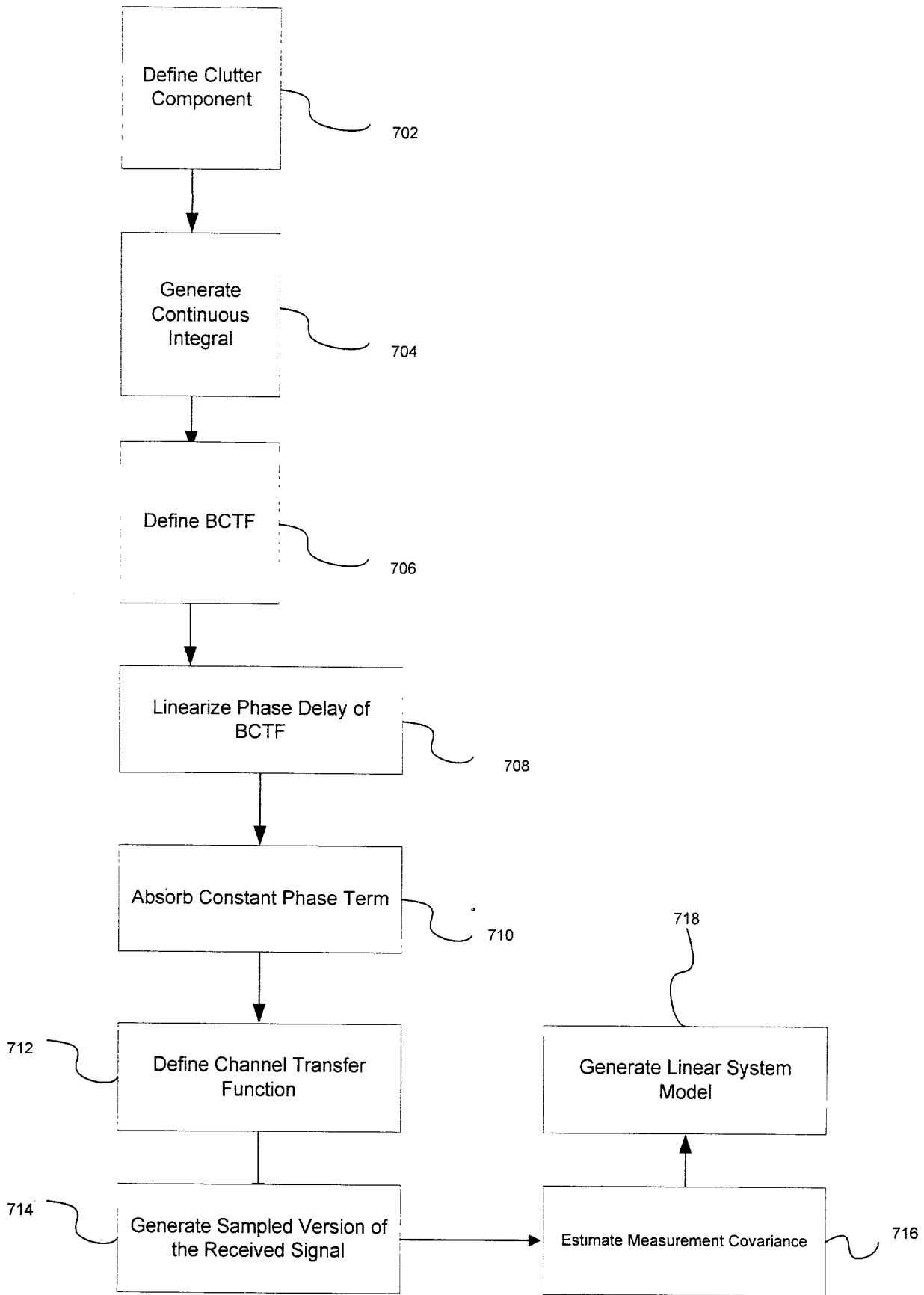


Fig. 7

FIG. 8

Patent 2016016500

